



## Back-to-wall freestanding bath – 3 sizes Integrated slot overflow

### Features

- Sits flat against the wall
- Seamless design
- White sanitary grade acrylic, high gloss finish
- Excellent heat retention properties
- Adjustable support feet
- Suits 40mm waste (not supplied)

### Available in 3 sizes

- 1400 mm long
- 1500 mm long
- 1700 mm long

### Installation

The bath is supplied with four adjustable support feet on the base frame of the bath. Position the bath and use the adjustable feet to level the bath. Leave a 3mm void between the base of the bath and the floor. Use silicone around the base to seal the bath to the floor. Allow a 20mm gap in the silicone seal as a weephole (gap is designed to reveal any plumbing leakage).

Use acetic cured silicone sealant. Do not use epoxy type adhesives.

## Order codes

### Bath only – Integrated Overflow

#### WHITE GLOSS FINISH

192789	Plati 135, 1400 mm, White Gloss
192717	Plati 135, 1500 mm, White Gloss
192718	Plati 135, 1700 mm, White Gloss

### Bath Installation Kit + Pop-out Waste to suit Integrated Overflow

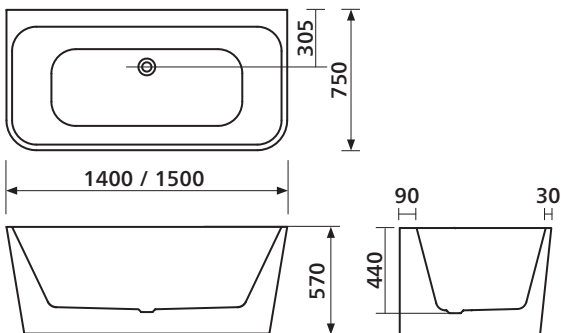
#### OPTIONAL EXTRA – ORDER SEPARATELY

FlexiWaste Installation Kit with premium Pop-out Bath Waste, with colour options, is available as an optional extra.

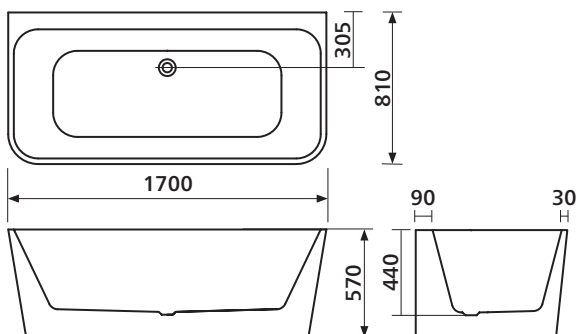
*Please note: The Pop-out Waste in this kit is suitable for both non-overflow and integrated overflow requirements when used with this kit.*


192179	FlexiWaste Bath Installn Kit w Pop-out Waste, IO+NOF, Chrome
192329	FlexiWaste Bath Installn Kit w Pop-out Waste, IO+NOF, Brushed Nickel
192332	FlexiWaste Bath Installn Kit w Pop-out Waste, IO+NOF, Gunmetal
192333	FlexiWaste Bath Installn Kit w Pop-out Waste, IO+NOF, Brushed Gold
192331	FlexiWaste Bath Installn Kit w Pop-out Waste, IO+NOF, White Gloss
192458	FlexiWaste Bath Installn Kit w Pop-out Waste, IO+NOF, White Matte
192330	FlexiWaste Bath Installn Kit w Pop-out Waste, IO+NOF, Black Matte

### 1400 and 1500



### 1700

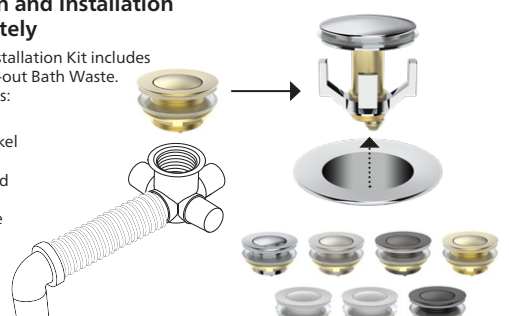


 Bath has integrated overflow – slot design

### Order Bath and Installation Kit separately

FlexiWaste Installation Kit includes premium Pop-out Bath Waste. Colour options:

- Chrome
- Brushed Nickel
- Gunmetal
- Brushed Gold
- White Gloss
- White Matte
- Black Matte



# SEIMA

kitchen + laundry + bathroom ware

seima.com.au

### Please note

- All measurements are in millimetres.
- Dimensions are nominal and subject to normal manufacturing variations.
- Fixing: Use silicone sealant. Do not use epoxy type adhesives.
- Specifications may vary without notice as part of our continuous improvement practices.
- Clean with a damp cloth. Do not use abrasive cleaners, liquids or pastes.